

NASTRO-SB™ -R5-R6

The Next Benchmark



SEMI-AUTOMATIC CASE SEALER

100%
MADE in ITALY

NASTRO-SB™ - R5 - R6

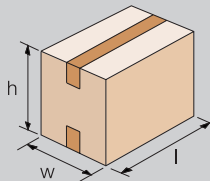
Nastro-SB™ R5 - R6 is a range of semi-automatic heavy duty case sealing machines designed and engineered by SIAT specifically for small, medium-large random box sizes with logic on board. Nastro-SB™ R5 - R6 is the ideal case sealing machine for a variety of industries like food&beverage, chemical, clothes and e-commerce.

SPECIFICATIONS

Max Production Capacity: 900 boxes/hour

Case type: RSC - FEFCO 0201

Max case weight: 32 kg



Box dimensions	L (mm)	W (mm)	H (mm)
R5S	150 - ∞	150 - 500	120 - 500
R6S	150 - ∞	150 - 650	120 - 650

KEY FEATURES

- » Lockable power and air supply switch
- » Central (R5) or double side (R6) emergency pushbutton
- » Removable heads without tools
- » 75 mm high belt conveyor
- » Easy to replace belt without removing the conveyor
- » 50 mm minimum box height (with L version)
- » Best-in-class pneumatic components
- » Linear belt conveyor movement
- » It can be equipped with IoT System
- » Faster than standard case sealers thanks to patented variable speed functions

ENERGY SAVING VERSION

Motors and conveyors stop after a defined time when no cartons are detected

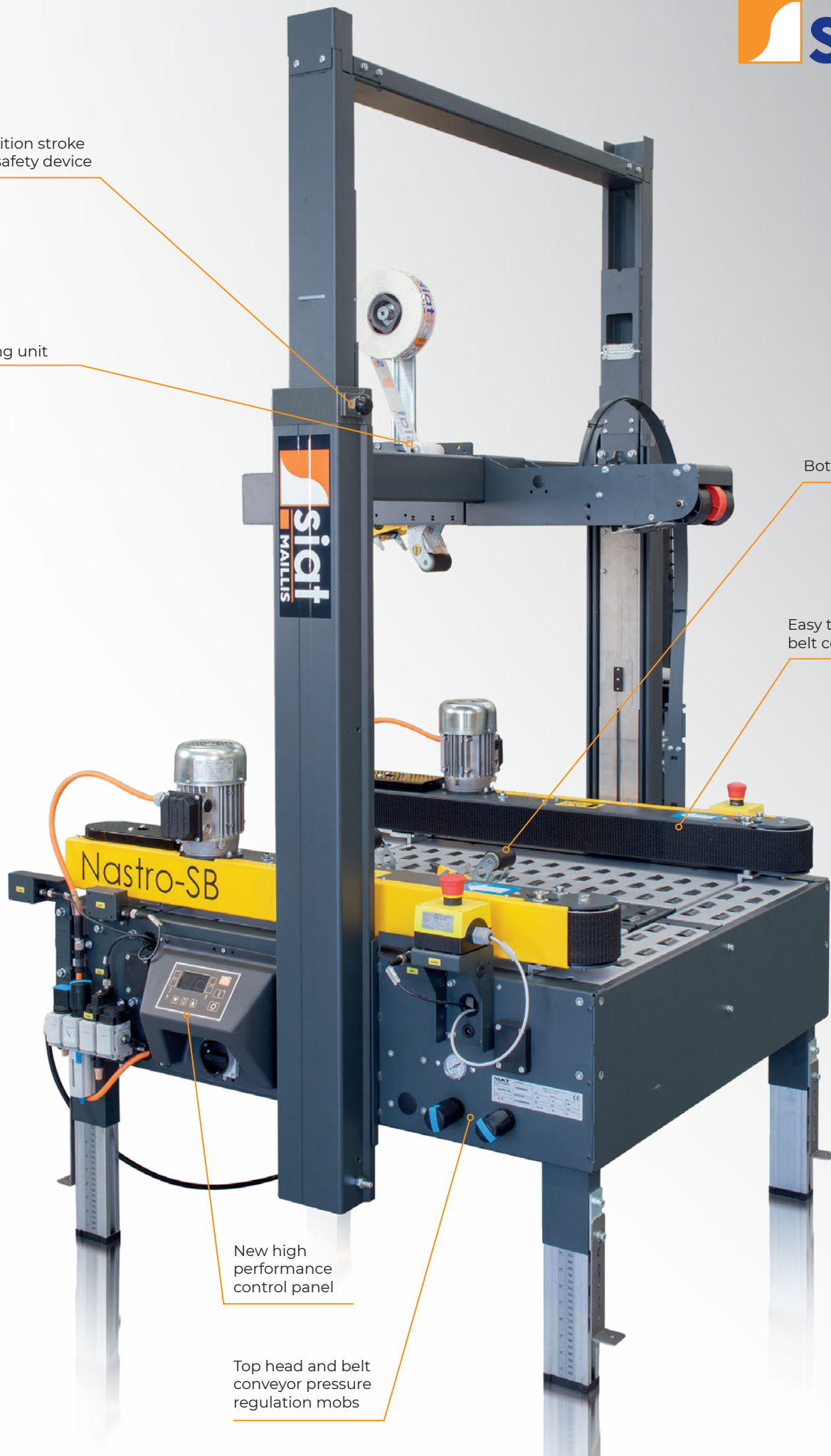


High position stroke stopper safety device

Top taping unit

Bottom taping unit

Easy to maintain belt conveyor



Nastro-SB

New high performance control panel

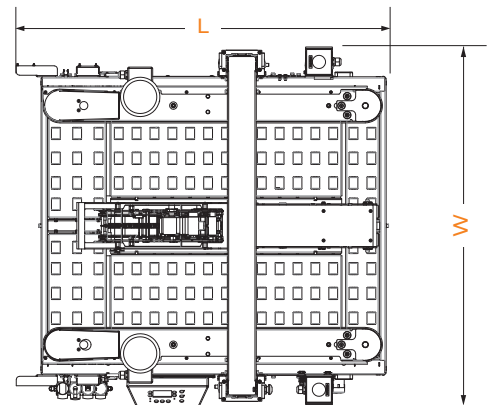
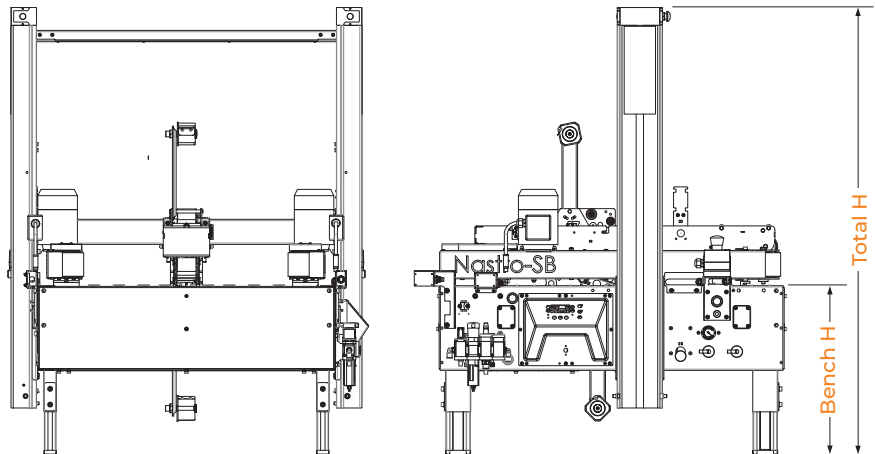
Top head and belt conveyor pressure regulation mobs

NASTRO-SB™ - R5 - R6

Machine dimensions

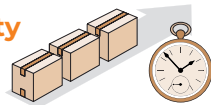
Dimensioni macchina
Maschinenabmessungen
Dimensions machine
Dimensiones de máquina

	Model	Min (mm)	Max (mm)
Total H	R5	1350	1610
	R6	1515	1775
H Bench	ALL	540	800
W	R5	990	990
	R6	1150	1150
L	ALL	1100	1100



Max Production capacity

Capacità di produzione
Produktionskapazität
Capacité de production
Capacidad de producción



up to 900 Bph

Standard power supply

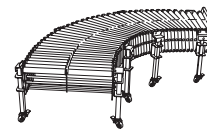
Alimentazione standard
Standard-Stromanschluß
Alimentation électrique standard
Fuente de alimentación estándar

220/240V - 50/60Hz - 1PH+N	
or 440V - 50/60Hz - 3PH+N	
Amps	3,4
Power kW	0,5
Phase	1Ph + N + PE

Optional Extras

Accessori
Zubehör
Accessories
Accesorios

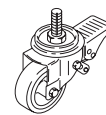
GTL - GTR



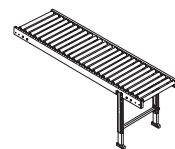
Higher Legs



AS77



RG



Nastro legs low height (440-700 mm)
Nastro legs max height (760-1020 mm)



SIAT Spa

Via Puecher 22, 22078 Turate - Como
www.siat.com

100%
MADE in ITALY

SIAT S.p.A is recognised worldwide as a top-class machine manufacturer for secondary packaging and produces more than 17,000 machines per year, and has done since 1970. Our product range includes semi-automatic as well as fully automatic machines like Case Sealers and Case Erectors, Stretch Wrappers, Strapping Tools / Machines, Flexographic Printing Machines and Tape Dispensers. The company is present in more than 100 countries and is constantly investing worldwide to meet customers actual and future demands.